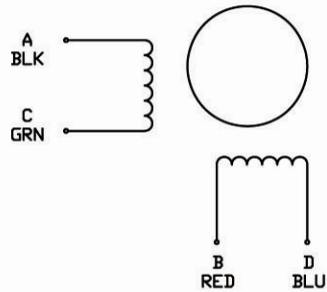
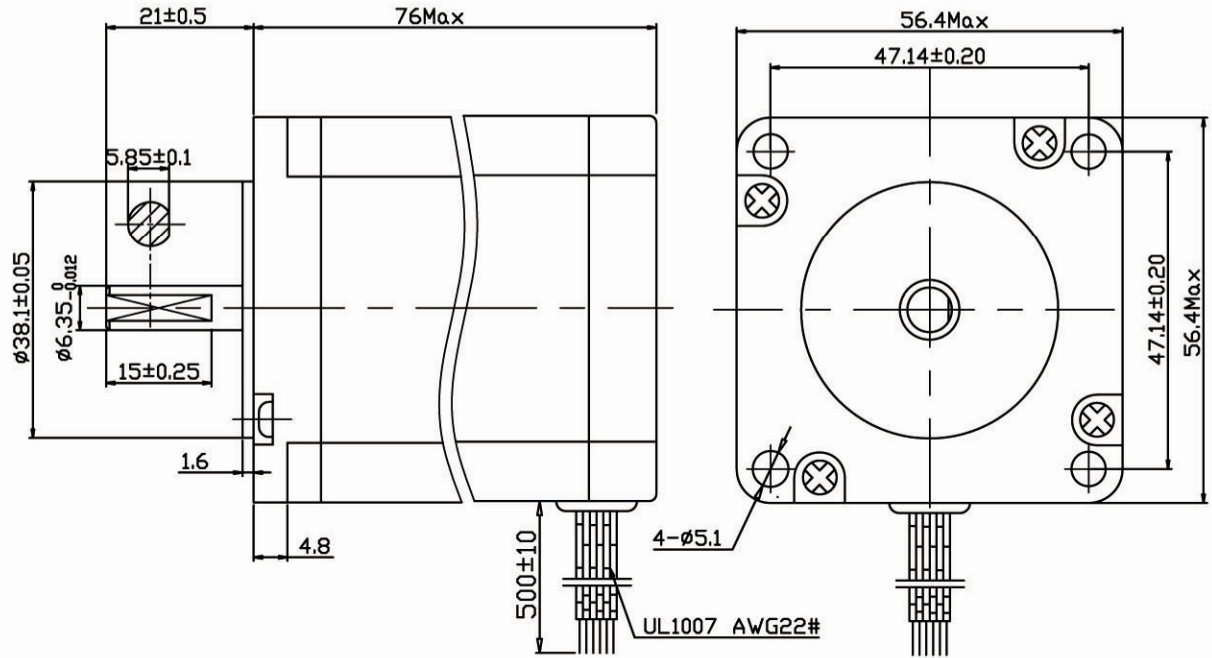


Wiring Diagram



SPECIFICATIONS

1	Number of Phase	2
2	Step Angle	1.8° ± 5%
3	Holding Torque	20 kg. cm
4	Voltage	4.1 VDC
5	Current	2.5 A
6	Phase Resistance (20°C)	1.65 ± 10% Ω
7	Phase Inductance (1KHz)	6.6 ± 20% mH
8	Rotor Inertia	482g • cm ²
9	Insulation Resistance	100MΩ 500VDC
10	Insulation Class	B (130°C)
11	Ambient Temperature	-20°C to 50°C
12	Ambient Humidity	15% to 95%
13	Motor Weight	Approx 1.1 kg
14		



EXITING SEQUENCE (2 PHASE)

STEP	A	B	\bar{A}	\bar{B}	CCW
1	+	+	-	-	↑
2	-	+	+	-	↑
3	-	-	+	+	↑
4	+	-	-	+	↑

↓ CW

NOTE: This document is released for information only. Its reproduction in whole or in part or its dissemination to third parties is prohibited. Unless otherwise specified all trademarks and registered trademarks appearing on this document are the property of changzhou chuanguwei motor & electric apparatus co.,ltd.

Unit:mm
 First angle method
 Tolerances for linear and angular dimensions without individual tolerance indications
 GB/T 1804-m eqv ISO 2768-1:m
 Geometrical tolerances for features without individual tolerance indications
 GB/T 1184-k eqv ISO 2768-2:k

DESIGN	
CHECK	
TECHNOLOGY	
STANDARD	
APPROVE	
NAMES	
SIGNATURE	
DATE	



TYPE: HYBRID STEPPING MOTOR SCALE XX Rev. 1.0 SHEET 1 OF 1

Model: 23HS57-2520A

V1.0	HTPS1603071	20160313
REV.	REVISION RECORD	DATE

UNLESS OTHERWISE SPECIFIDE