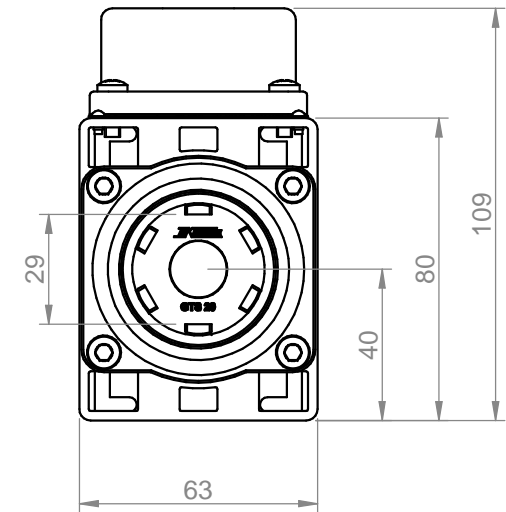
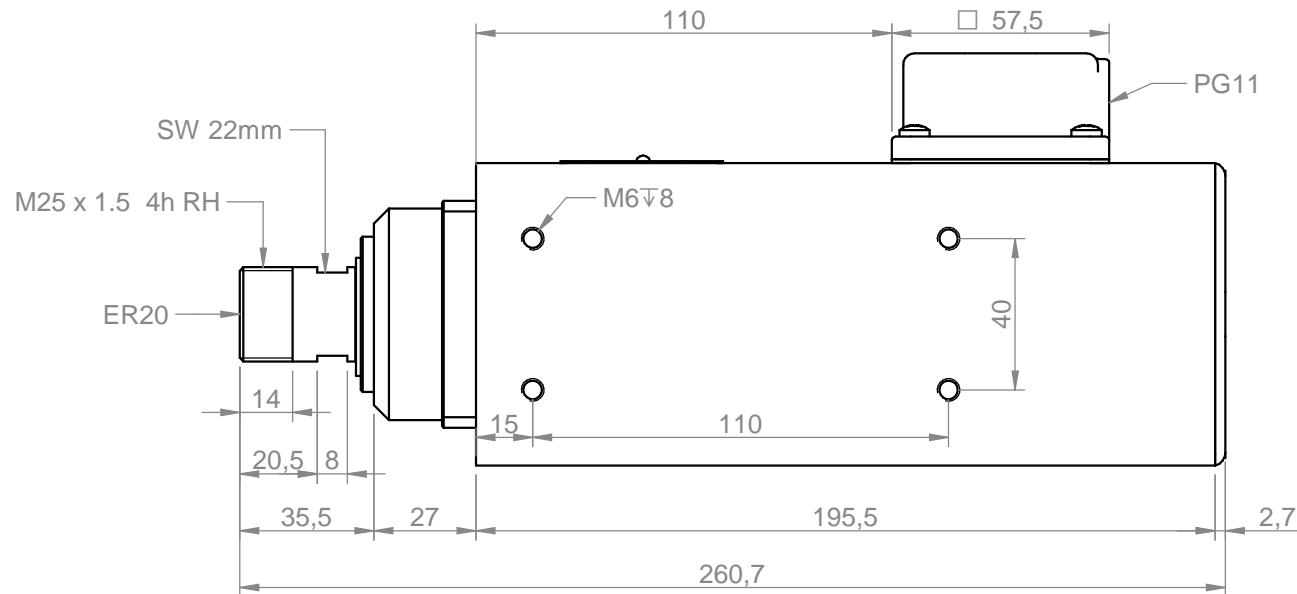
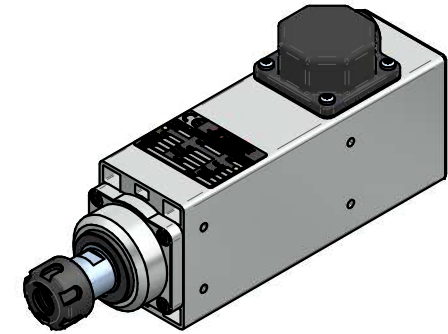
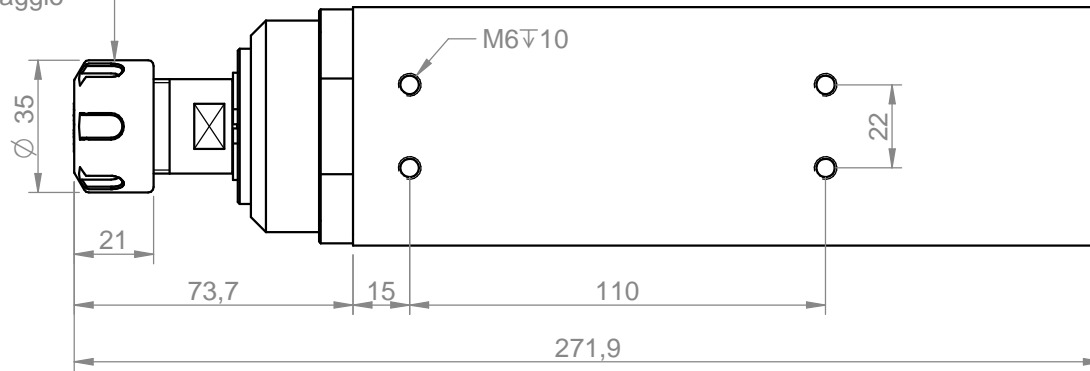







Ghiera serraggio
GTS20 RH



Power [kW] 0.73	Duty Cycle S1	Base speed [rpm] 18000	Base freq. [Hz] 300	Base voltage Δ [V] 220	Base voltage Y [V] 380	Protection IP54	Ins. Cl. F	 <p>Teknomotor S.r.l. Via Argenege 31, I-32038 Quero Vas (BL) www.teknomotor.com</p>							
Min speed [rpm] 6000		Max speed [rpm] 18000	Max freq. [Hz] 300	Absorb. Δ [A] 3.6	Absorb. Y [A] 2.1	Part number on nameplate COM31400251									
Balancing according to ISO 1940 - G2.5 @ 18000 rpm		Balancing type		tool type full key 	tool type half key 	Peso / weight 3.48 kg		<p>Title 3140-C-SB-P-ER20-RH</p>							
Tolleranze non quotate / unlisted tollerances: ±0.5mm Smussi non quotati / unlisted chamfers: ±0.5mm				$\nabla = 0.8 \nabla$	$\nabla = 3.2 \nabla$	$\nabla = 12.5 \nabla$	$\sim = \nabla$								
rev. n° 00	description Emissione			date 15/02/2010	signature D. Bottarel	Customer Catalogo									
drawing - date D. Bottarel - 15/02/2010						approved - date S. Perli - 15/02/2010		checked - date S. Perli - 15/02/2010	sostituisce il sostituito dal		foglio / sheet 1 / 1	scala 1:2			A4